

# IAA Series Dial type

## IZMAC mini Absorber Adustable type

### DESCRIPTION

IAA has dial which can set 12 steps of shock speed ranges and it is uparaded on wider damping ranges. Energy capacity was Improved over 200% and effective weight ranges become wider than before.

IAA series



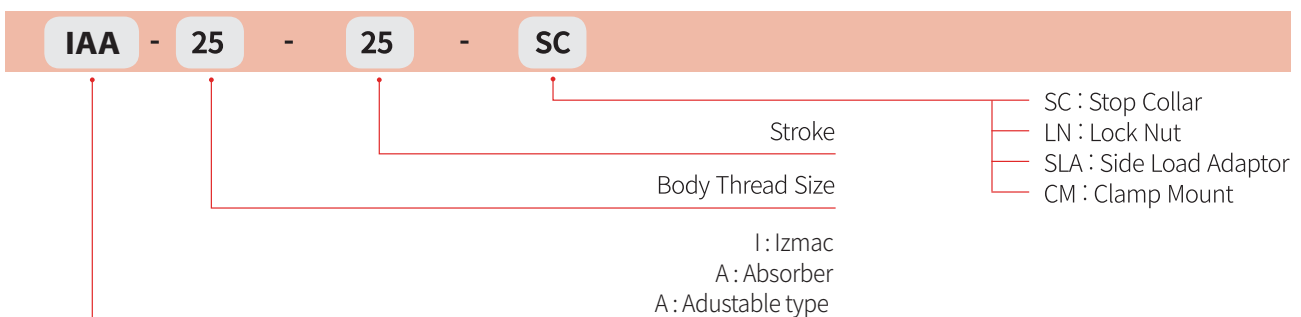
### FEATURES

- 1 All threaded body outside helps to install shock absorber and it can be fixed at the exact position. And it helps also to dissipate more shock energy by increased surface dimension.
- 2 Body surface treated as alloyed black colored steel or Zn-Ni and it develops anti corrosion features highly.
- 3 Stop collar is not necessary when shock absorber has steel head, and poly pad & urethane cap will help to decrease collision noises efficiently.
- 4 Rod cover is made of long lasting materials with function of seal protection and that enable to guarantee long life.
- 5 Speed ranges : 0.3 ~ 5m/s • Low Velocity (LV) : 0.08 ~ 1.3m/s
- 6 Temperature ranges : -10 ~ 80°C • Special : -40 ~ 120°C(Oil and Seal)

### APPLICATIONS

Pick N place robot, machining tools, automobile assembly line, tire assembly line, crane, safety devices and all other industrial ranges of multi purposes.

### IAA SERIES ORDERING INFORMATION



# IAA10 - 07(B) / 12 - 10(B)

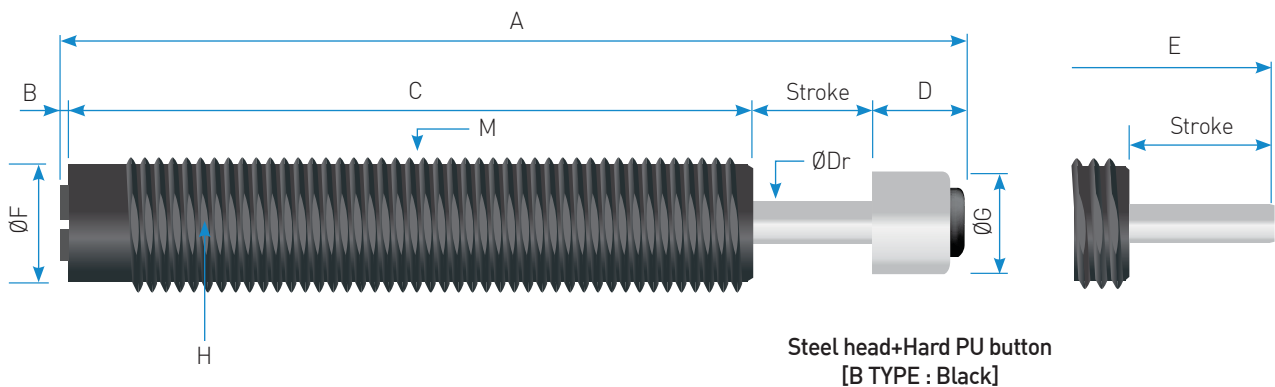
Best engineered  
for energy absorption  
technology

## Engineering Data

Model	Stroke (mm)	Max.Energy / Cycle(Nm) $E_T$	Max.Energy / Hour(Nm/h) $E_T C$	Effective Weight(kg) $m_e$	Recoil Fore(N)		Weight(g)
					Ext.	Comp.	
IAA10 - 07(B)	7	5.5	15,000	1 - 123	2.4	5.4	21
IAA12 - 10(B)	10	16	30,500	1.5 - 333	3.6	9.8	41

## Dimensions

Model	Stroke	A	B	C	D	E	F	G	H	M	Dr
IAA10 - 07(B)	7	68	1.2	52.8	7	61	Ø8.6	Ø8.6	SW:8.8	M10X1.0	Ø3
IAA12 - 10(B)	10	84	1.2	62.8	10	74	Ø10.5	Ø10.5	-	M12X1.0	Ø4

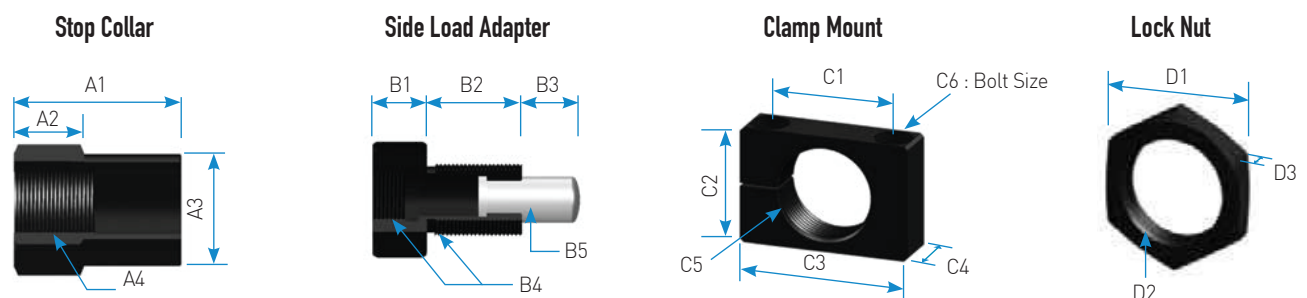


## Accessories

- Two Lock Nuts included for each absorber
- Other accessories to be ordered separately

(unit : mm)

Stop Collar	Side Load Adapter	Clamp Mount	Lock Nut	A1	A2	A3	A4	B1	B2	B3	B4	B5	C1	C2	C3	C4	C5	C6	D1	D2	D3	
SC10X1.0	SLA10-07	CM10X1.0	LN10X1.0			Ø12.8	M10 X 1.0	12.5	7	M10 X 1.0	Ø4	16	14	25	10	M10 X 1.0	M4	13	M10 X 1.0			
SC12X1.0	SLA12-10	CM12X1.0	LN12X1.0	20	8	Ø13.8	M12 X 1.0	12	17.5	10	M12 X 1.0	Ø5	20	16	32	12	M12 X 1.0 X 18L	M5 X 18L	14	M12 X 1.0		4



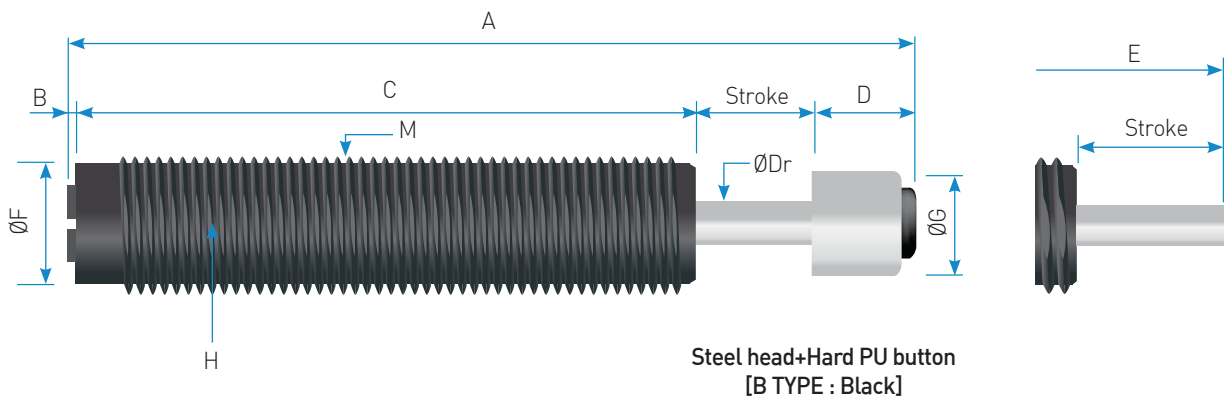
# IAA14 - 12(B) / 16 - 12(B)

## Engineering Data

Model	Stroke (mm)	Max.Energy / Cycle(Nm) $E_T$	Max.Energy / Hour(Nm/h) $E_{T,C}$	Effective Weight(kg) $m_e$	Recoil Forec(N)		Weight(g)
					Ext.	Comp.	
IAA14 - 12(B)	12	18	38,000	1.8 - 400	4.9	11.4	60
IAA16 - 12(B)	12	24	47,200	2-530	5	11.5	84

## Dimensions

Model	Stroke	A	B	C	D	E	F	G	H	M	Dr
IAA14 - 12(B)	12	96	1.2	72.8	10	86	Ø12	Ø10.5	SW:12.5	M14X1.5	Ø4
IAA16 - 12(B)	12	97	1.2	71.3	12.5	84.5	Ø10.5	Ø13.6	SW:14.5	M16X1.5	Ø5



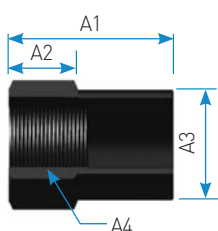
## Accessories

- Two Lock Nuts included for each absorber
- Other accessories to be ordered separately

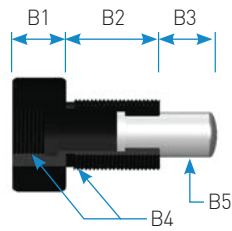
(unit : mm)

Stop Collar	Side Load Adapter	Clamp Mount	Lock Nut	A1	A2	A3	A4	B1	B2	B3	B4	B5	C1	C2	C3	C4	C5	C6	D1	D2	D3
SC14X1.5	SLA14-12	CM14X1.5	LN14X1.5			Ø18	M14 X 1.5	14	19.5		M14 X 1.5	Ø6	20	20	32	12	M14 X 1.5	M5 X 25L	M14 X 1.5		5
SC16X1.5	SLA16-12	CM16X1.5	LN16X1.5	27	12	Ø19	M16 X 1.5	19	22.8	12	M16 X 1.5	Ø8	24	22	36	16	M16 X 1.5	M6 X 25L	19	M16 X 1.5	6

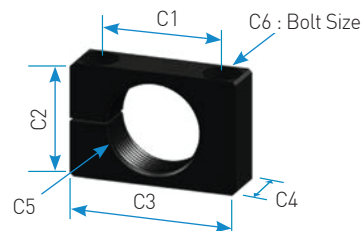
Stop Collar



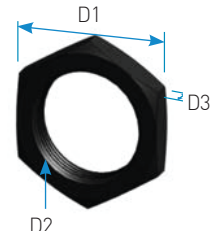
Side Load Adapter



Clamp Mount



Lock Nut



# IAA20 - 15(B) / 25 - 25(B)

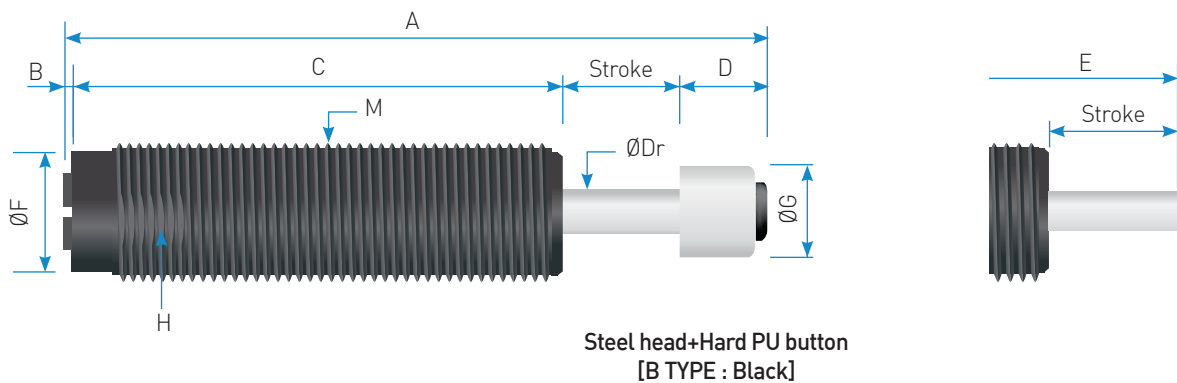
Best engineered  
for energy absorption  
technology

## Engineering Data

Model	Stroke (mm)	Max.Energy / Cycle(Nm) $E_T$	Max.Energy / Hour(Nm/h) $E_{T/C}$	Effective Weight(kg) $m_e$	Recoil Forec(N)		Weight(g)
					Ext.	Comp.	
IAA20 - 15(B)	15	56	58,000	4.5-1,240	8	19,6	139
IAA25 - 25(B)	25	150	96,000	11.5-3,330	10.2	29.5	285

## Dimensions

Model	Stroke	A	B	C	D	E	F	G	H	M	Dr
IAA20 - 15(B)	15	109	1.5	79	13.5	95.5	Ø17.6	Ø13.5	SW:18.5	M20X1.5	Ø6
IAA25 - 25(B)	25	144	1.5	101	16.5	127.5	Ø22.6	Ø16	SW:23	M25X1.5	Ø8

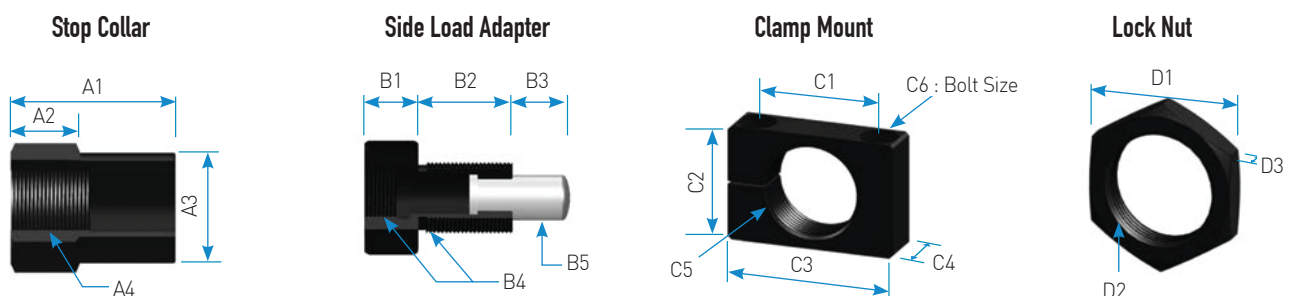


## Accessories

- Two Lock Nuts included for each absorber
- Other accessories to be ordered separately

(unit : mm)

Stop Collar	Side Load Adapter	Clamp Mount	Lock Nut	A1	A2	A3	A4	B1	B2	B3	B4	B5	C1	C2	C3	C4	C5	C6	D1	D2	D3
SC20X1.5	SLA20-15	CM20X1.5	LN20X1.5	36	15	Ø24	M20 X 1.5	34	15	M20 X 1.5	Ø12	28	25	40	20	M20 X 1.5	M6 X 30L	24	M20 X 1.5	6	
SC25X1.5	SLA25-25	CM25X1.5	LN25X1.5	42	18	Ø31.5	M25 X 1.5	42	25	M25 X 1.5	Ø16	32	32	46	25	M25 X 1.5	M6 X 35L	32	M25 X 1.5	8	



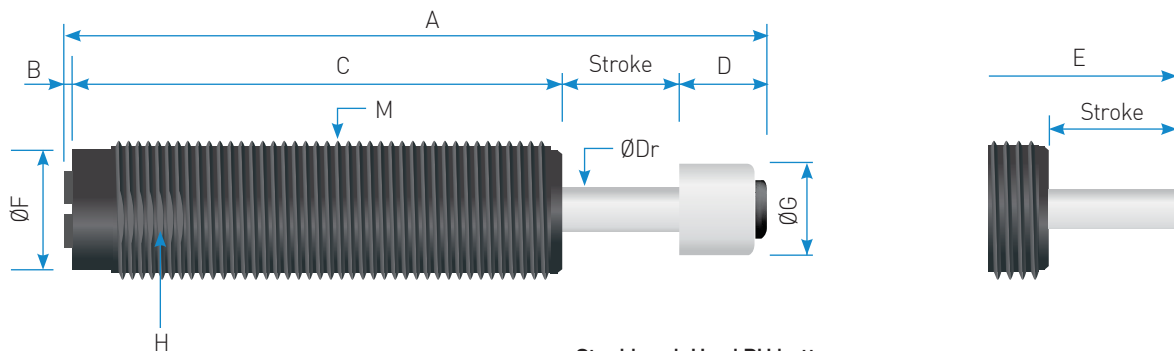
# IAA27 - 25(B) / 27 - 25F(B)

## Engineering Data

Model	Stroke (mm)	Max.Energy / Cycle(Nm) $E_T$	Max.Energy / Hour(Nm/h) $E_{T,C}$	Effective Weight(kg) $m_e$	Recoil Forec(N)		Weight(g)
					Ext.	Comp.	
IAA27 - 25(B)	25	150	96,000	11.5-3,330	10.2	29.5	303
- 25F(B)							325

## Dimensions

Model	Stroke	A	B	C	D	E	F	G	H	M	Dr
IAA27 - 25(B)	25	144	1.5	101	16.5	127.5	Ø22.6	Ø16	SW:25(23)	M27X3.0	Ø8
- 25F(B)									SW:25	M27X1.5	



Steel head+Hard PU button  
[B TYPE : Black]

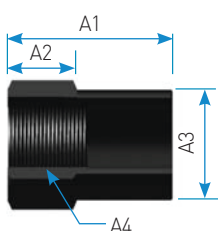
## Accessories

- Two Lock Nuts included for each absorber
- Other accessories to be ordered separately

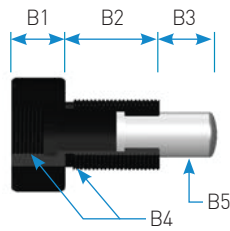
(unit : mm)

Stop Collar	Side Load Adapter	Clamp Mount	Lock Nut	A1	A2	A3	A4	B1	B2	B3	B4	B5	C1	C2	C3	C4	C5	C6	D1	D2	D3
SC27X3.0	SLA27-25	CM27X3.0	LN27X3.0				M27 X 3.0				M27 X 3.0						M27 X 3.0		M27 X 3.0		
				42	18	Ø31.5		20	42	25		Ø16	35	32	48	25		M6 X35L	32		8
SC27X1.5	SLA27-25F	CM27X1.5	LN27X1.5				M27 X 1.5				M27 X 1.5						M27 X 1.5		M27 X 1.5		

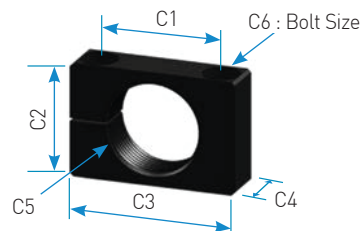
Stop Collar



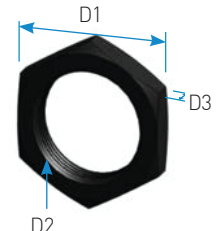
Side Load Adapter



Clamp Mount



Lock Nut



# IAA36 - 25(B) / 36 -50(B)

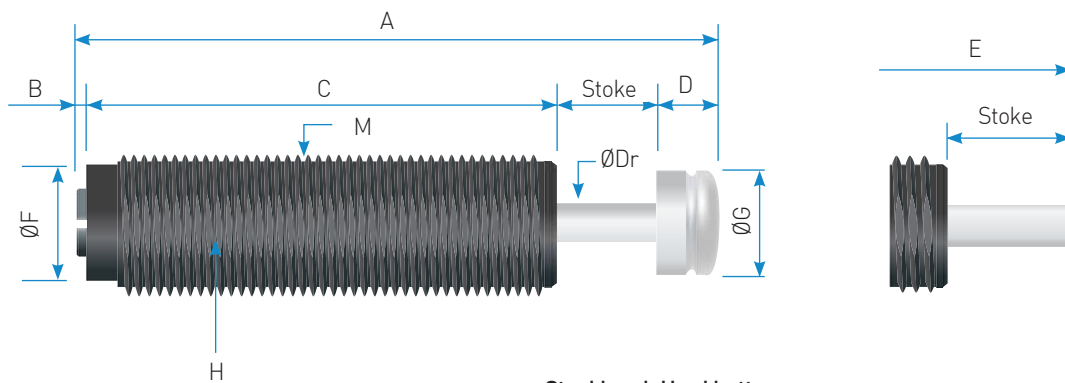
Best engineered  
for energy absorption  
technology

## Engineering Data

Model	Stroke (mm)	Max.Energy / Cycle(Nm) $E_T$	Max.Energy / Hour(Nm/h) $E_T \cdot C$	Effective Weight(kg) $m_e$	Recoil Forec(N)		Weight(g)
					Ext.	Comp.	
IAA36 - 25(B)	25	300	108,000	24 - 6,667	25	56.2	700
- 50(B)	50	615	142,000	49 - 13,667	22.5	60	811

## Dimensions

Model	Stroke	A	B	C	D	E	F	G	H	M	Dr
IAA36 - 25(B)	25	158.5	2	116	15.5	143	Ø31	Ø28	SW:34	M36 X 1.5	Ø10
- 50(B)	50	218	2	150.5	15.5	202.5	Ø31	Ø28	SW:34	M36 X 1.5	Ø10



Steel head+Hard button

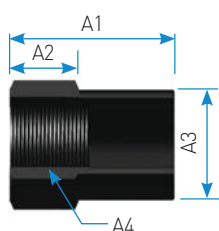
## Accessories

- Two Lock Nuts included for each absorber
- Other accessories to be ordered separately

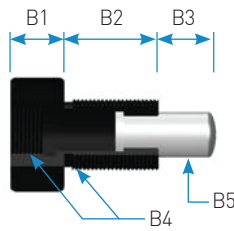
(unit : mm)

Stop Collar	Side Load Adapter	Clamp Mount	Lock Nut	A1	A2	A3	A4	B1	B2	B3	B4	B5	C1	C2	C3	C4	C5	C6	D1	D2	D3	
SC36X1.5	SLA36-25	CM36X1.5	LN36X1.5					22	47	25		20										
				62	26	Ø45	M36 X 1.5				M36 X 1.5		45	42	61	25	M36 X 1.5	M6 X 45L	46	M36 X 1.5	10	
SC36X1.5	SLA36-50	CM36X1.5	LN36X1.5					22	78	50		20										

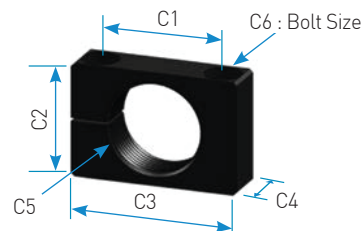
Stop Collar



Side Load Adapter



Clamp Mount



Lock Nut

